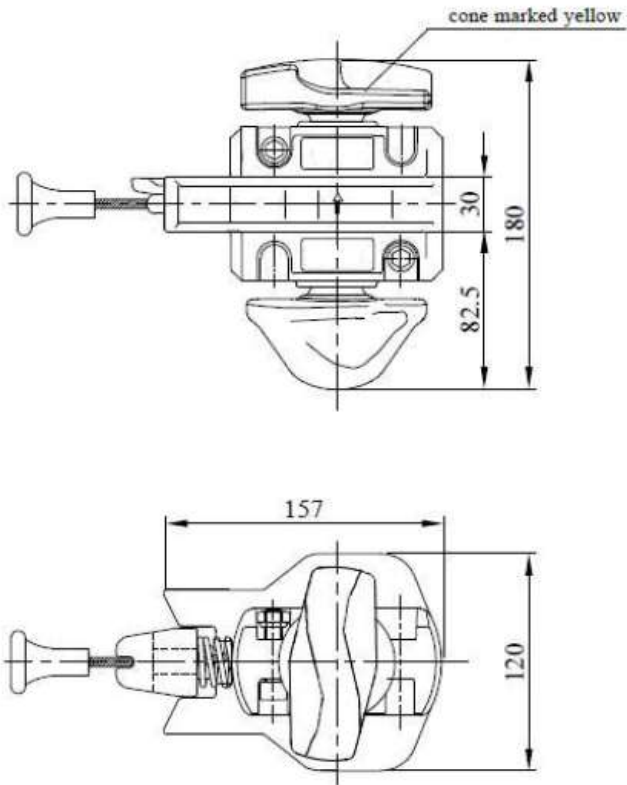


SEMI-AUTOMATIC TWISTLOCK

TWI-005



LOADS	SHEAR [KN]	TENSION [KN]
BREAKING LOAD	420	500
SAFE WORKING LOAD	210	250

TOTAL WEIGHT	4.9 KG
MATERIAL	FORGED STEEL
FINISH	HOT DIP GALVANISED